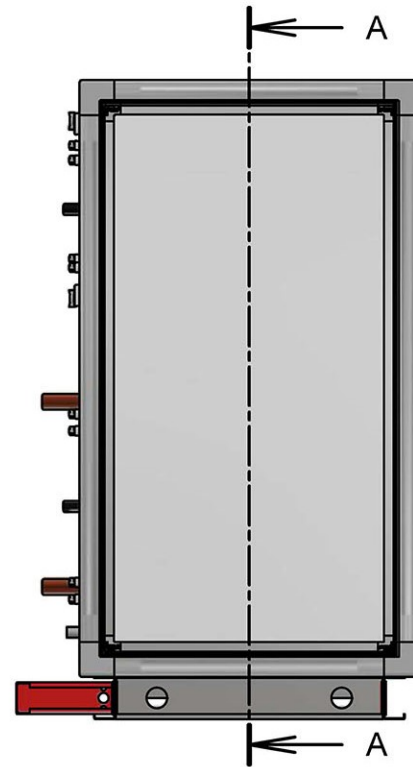
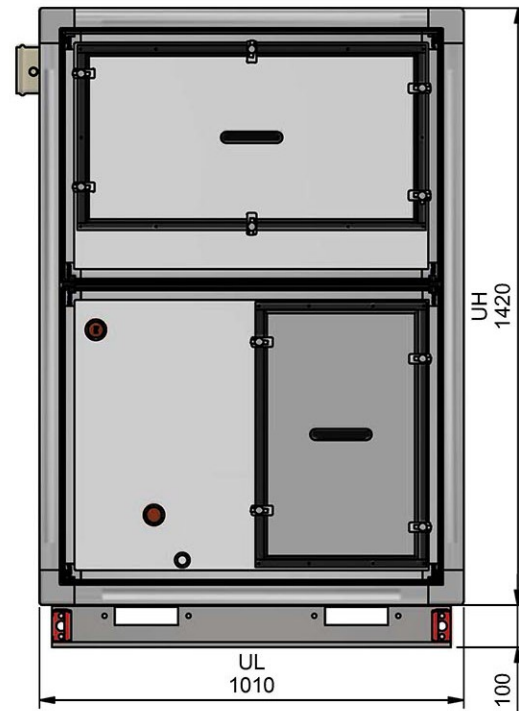
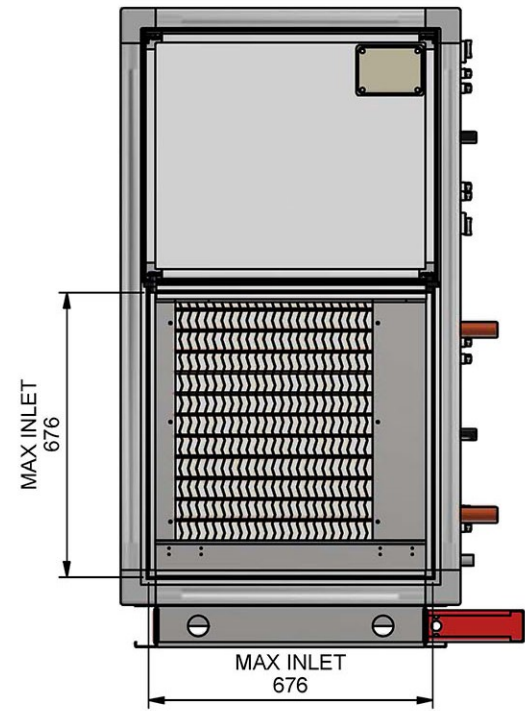
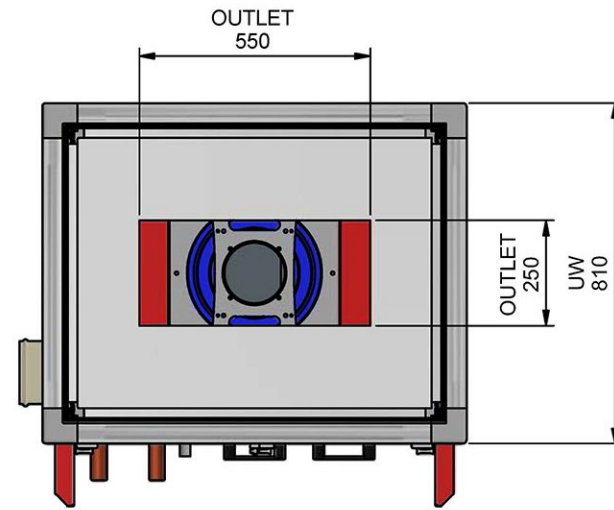
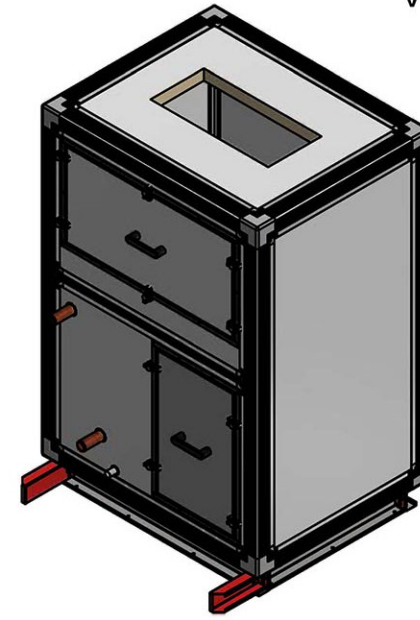


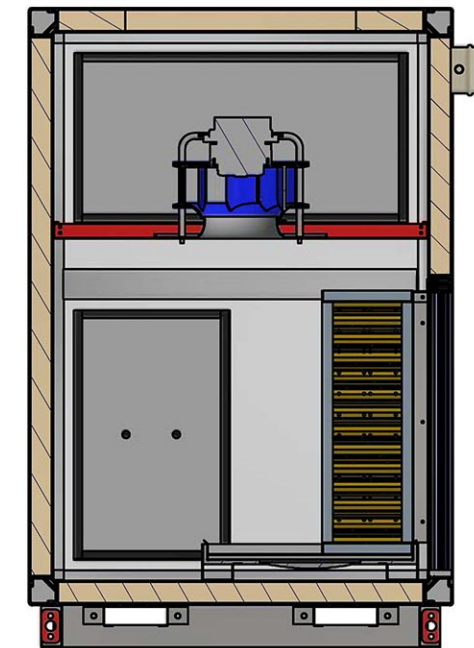
VIEW ISO 1 (1 : 25)



VIEW ISO 2 (1 : 25)



A-A (1 : 18)



MAX S/A (HORIZONTAL) : 380 X 585MM
 MAX S/A (VERTICAL) : 770 X 585MM

UNLESS OTHERWISE SPECIFIED
 DIMENSIONS ARE IN MILLIMETERS
 BREAK AND DEBUR ALL SHARP EDGES

3rd ANGLE PROJECTION

DO NOT SCALE DRAWING

Rev	By	Date	Description
/00	Toh	21/03/2017	Initial Released

Fantech Pty Ltd. © A.C.N. 005 434 024 45 NESTOR DRIVE, MEADOWBROOK, QUEENSLAND, AUSTRALIA. 4131 TELEPHONE: (07) 32 999 888 FACSIMILE: (07) 32 999 800						General Layout ME2B-V202/G3-FCO, GR28(115667)x1	
DRAWN: Toh	DATE: 21/3/2017						
CHKED: Sean	DATE: --						
APPRD: JT	DATE: --	DRAWING NO: 868-8010-2202	REV: /00	SCALE: 1 : 18	SIZE: A3		